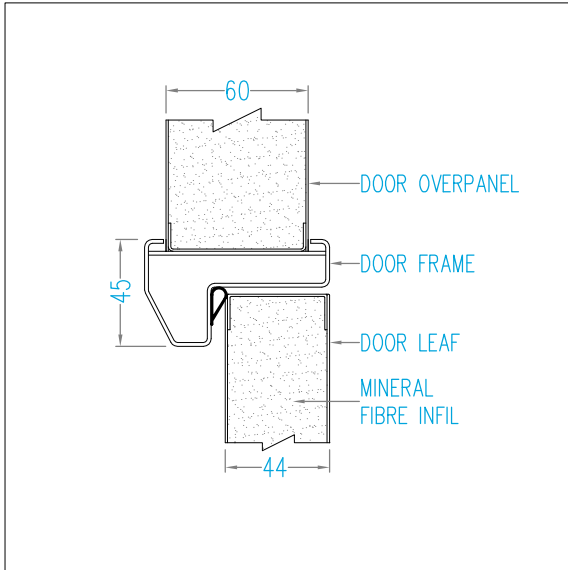
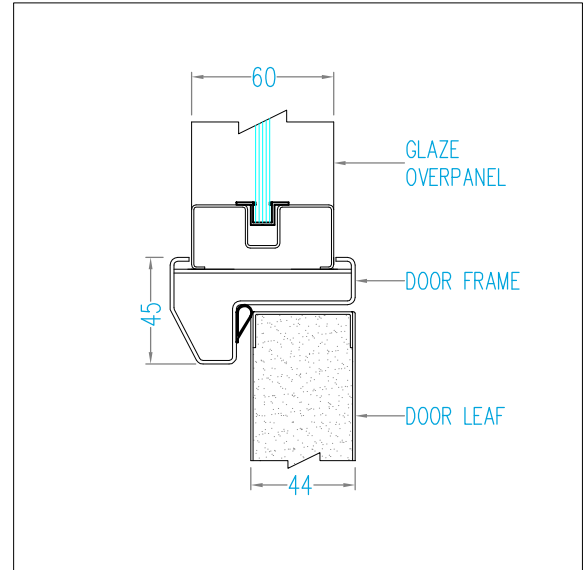


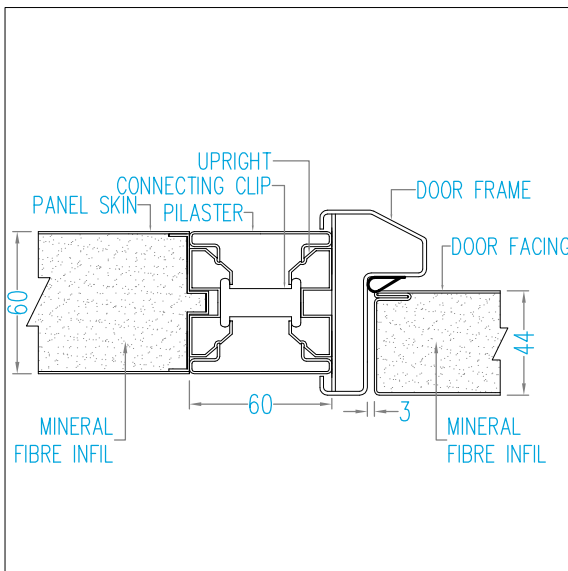
DOOR DETAIL



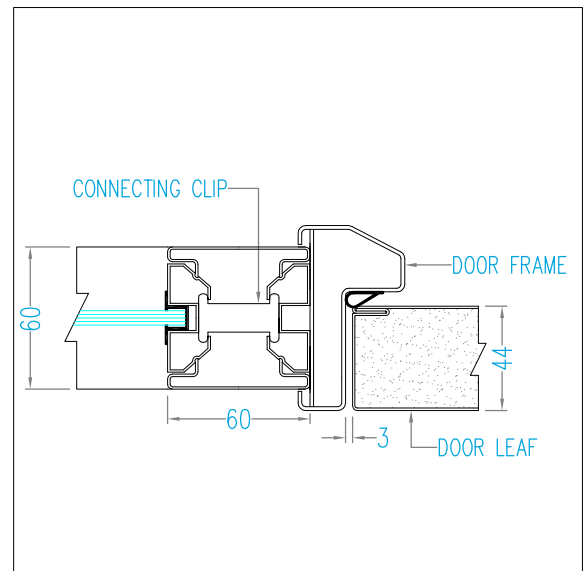
OVER PANEL-SOLID



OVER PANEL-GLAZED

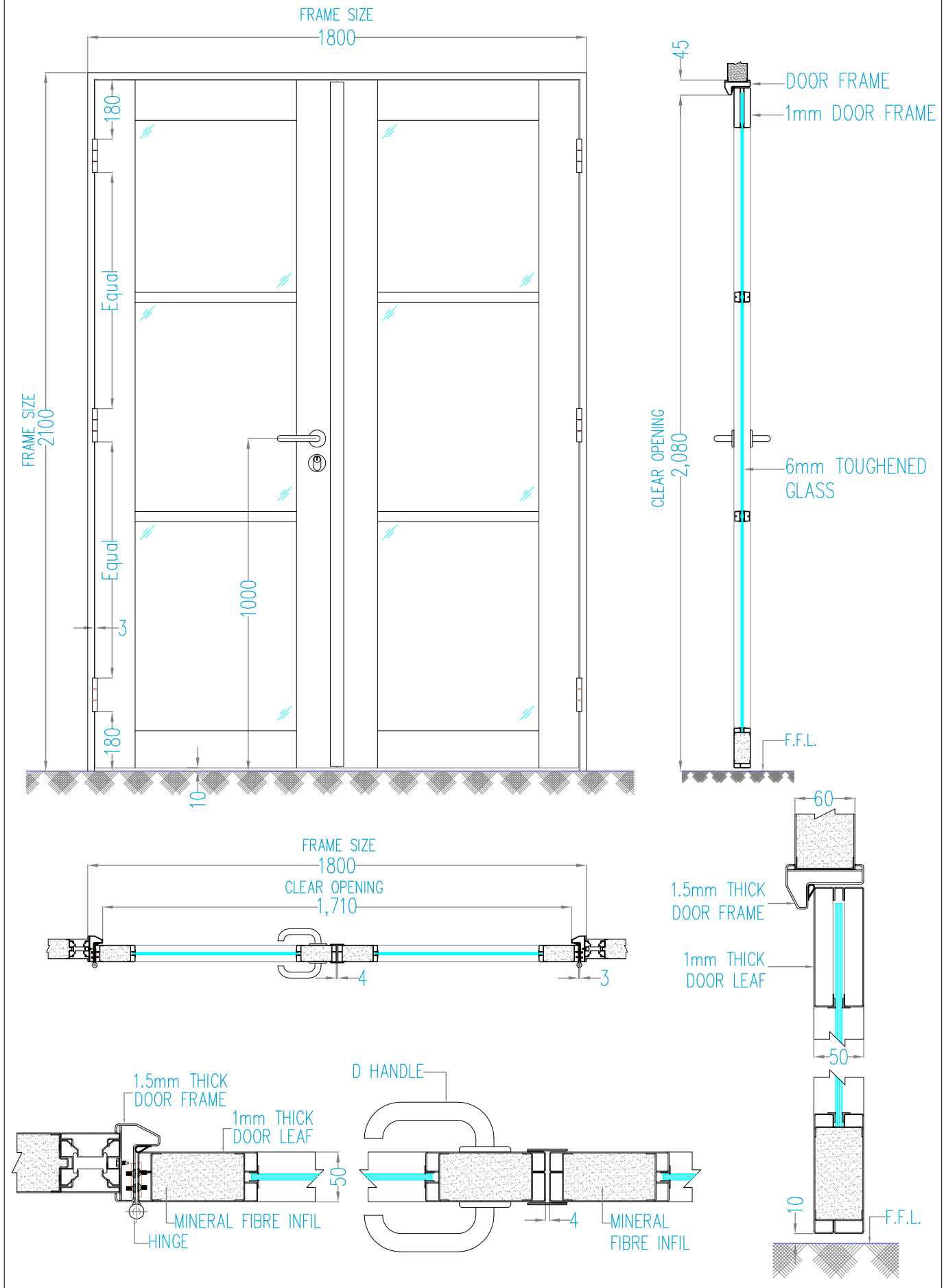


SOLID TO DOOR

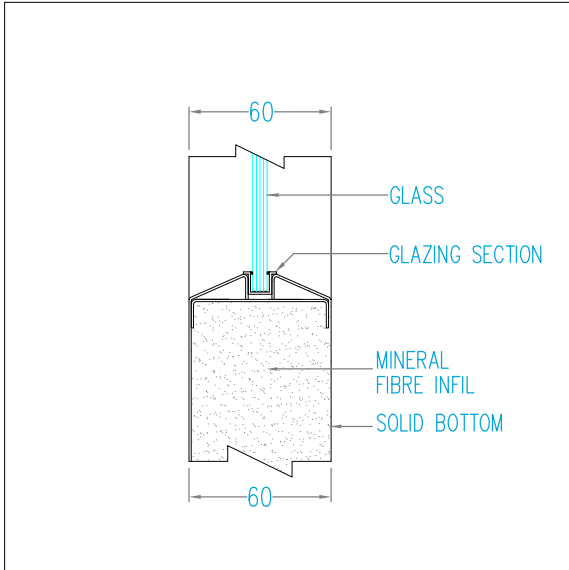


GLAZED TO DOOR

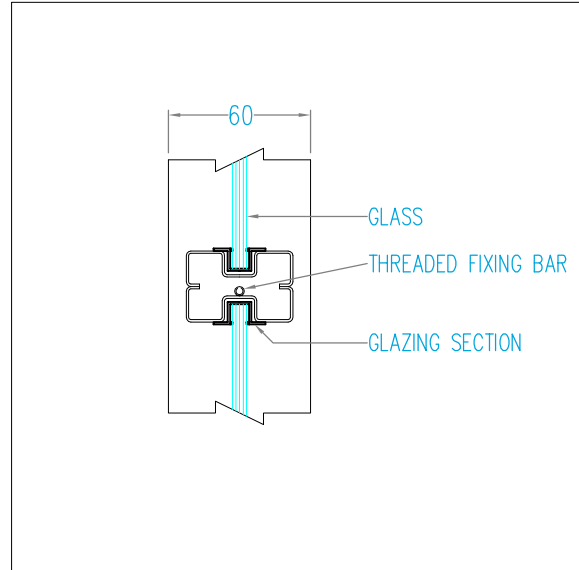
DOUBLE DOOR UNIT



HALF GLAZE PANEL

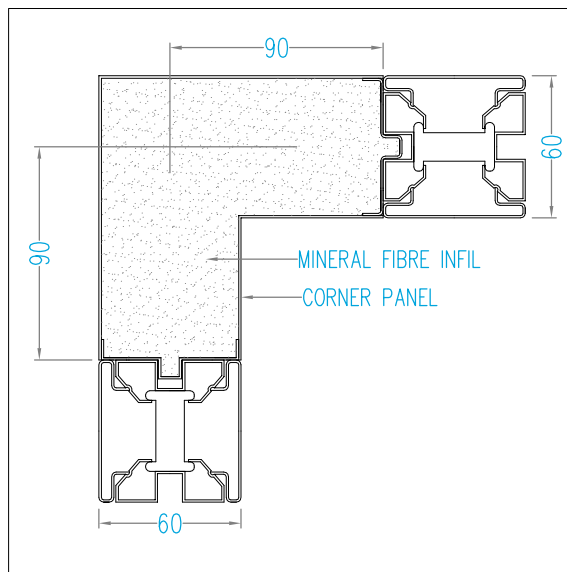


HALF GLAZE PANEL



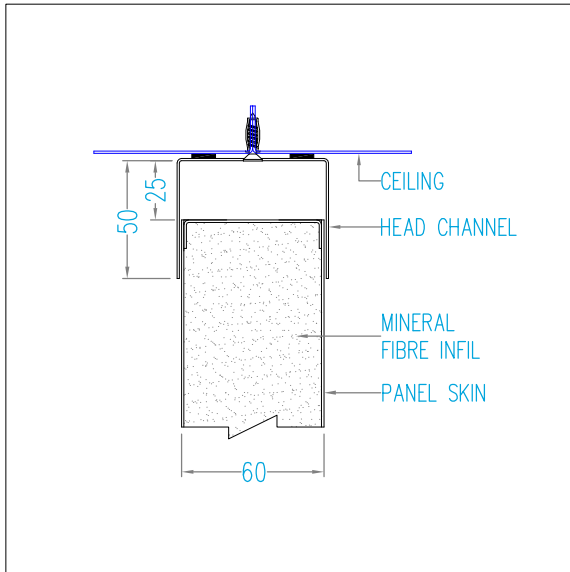
TRANSOM JOINT-GLAZED TO GLAZED

CORNER PANEL

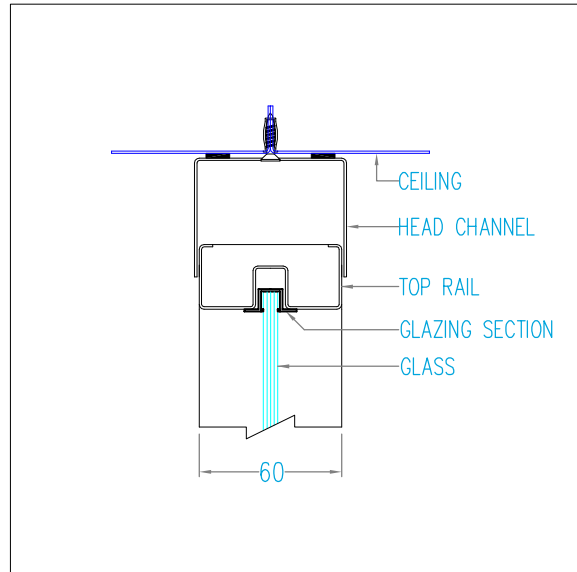


90° CORNER

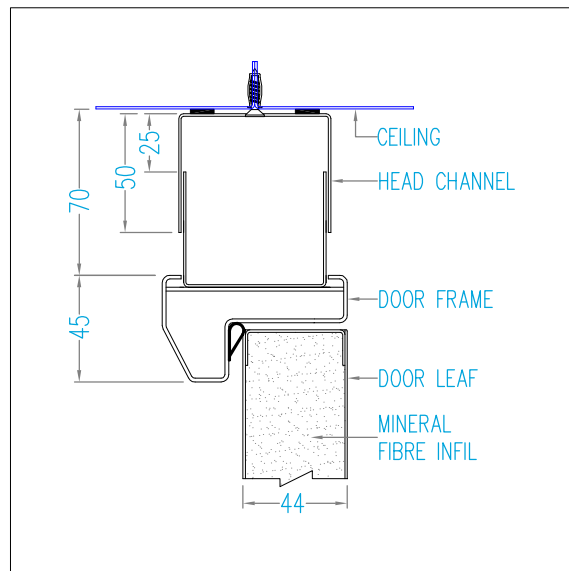
HEAD DETAIL



CEILING CONNECTION TO SOLID UNIT

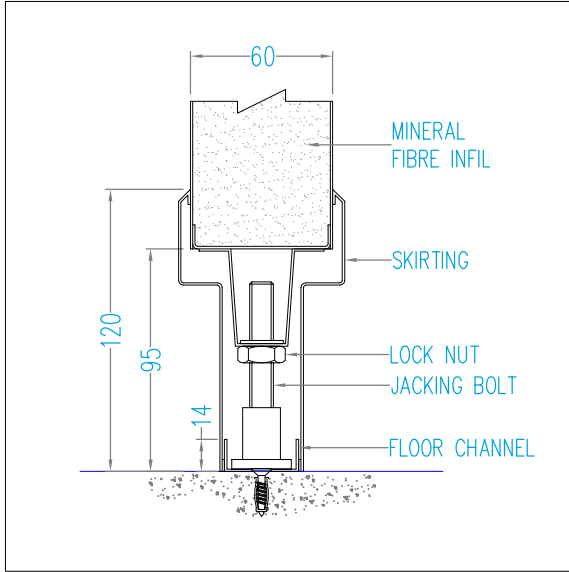


CEILING CONNECTION TO GLAZED UNIT

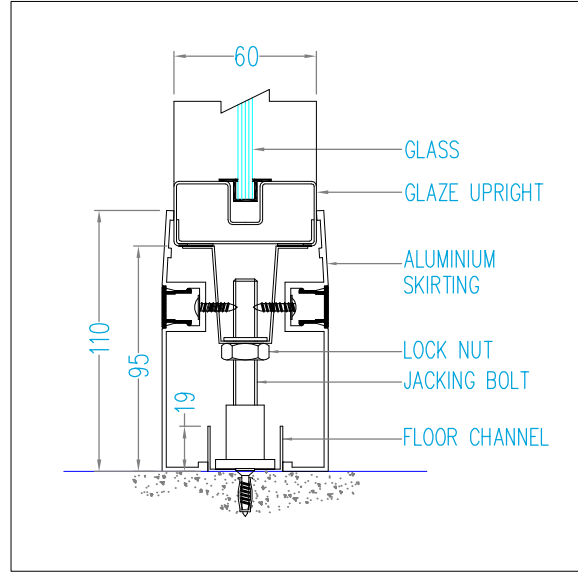


CEILING CONNECTION TO DOOR UNIT

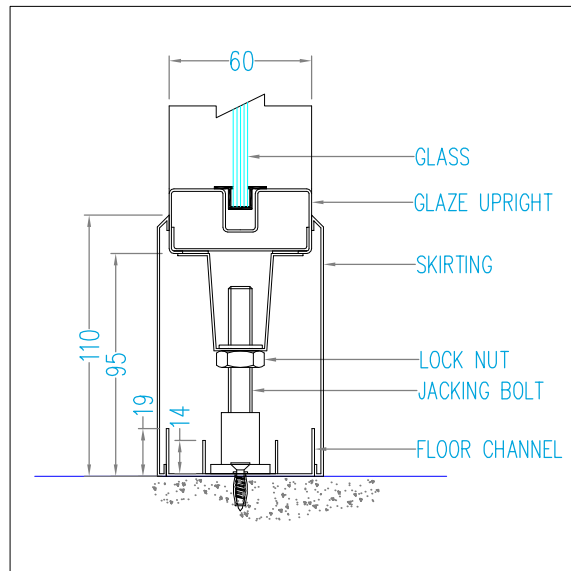
PANEL BASES



RECESSED SKIRTING

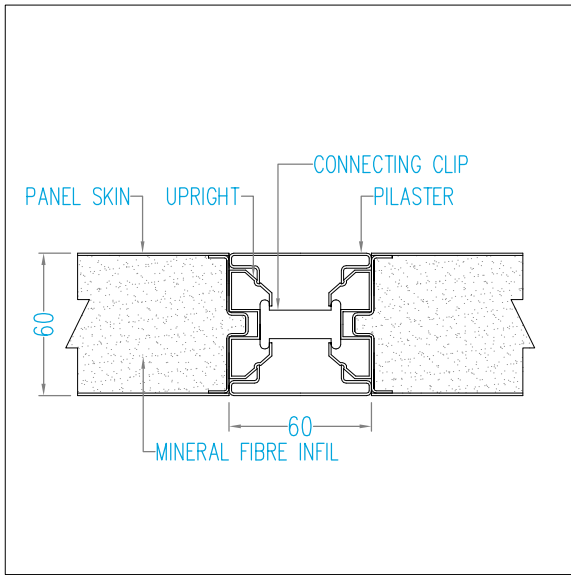


ALUMINIUM SKIRTING

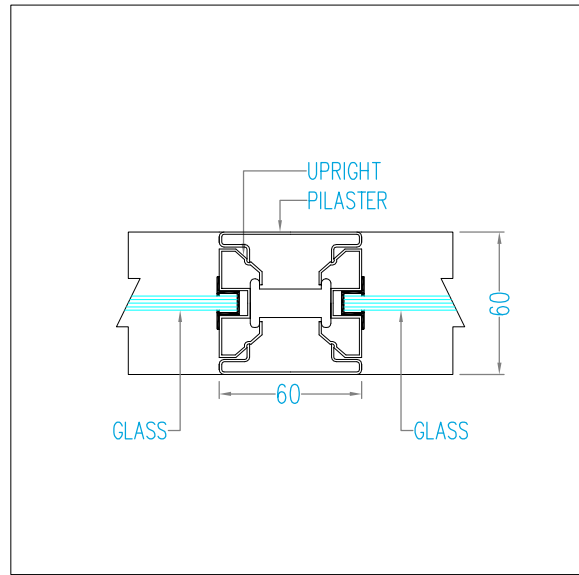


FLUSH SKIRTING

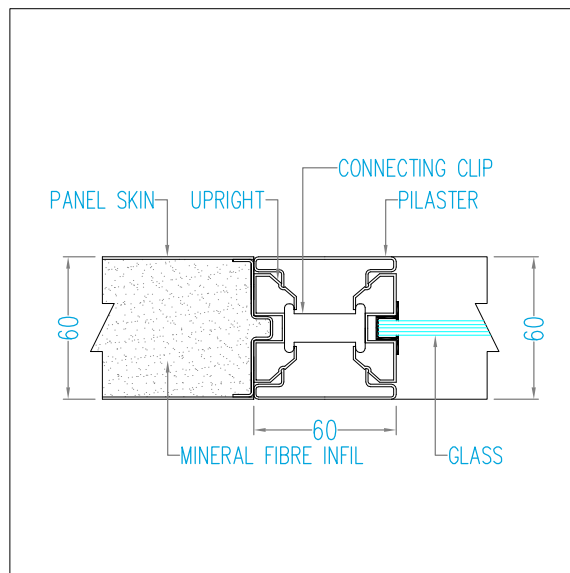
PANEL CONNECTIONS



PILASTER JOINT-SOLID TO SOLID

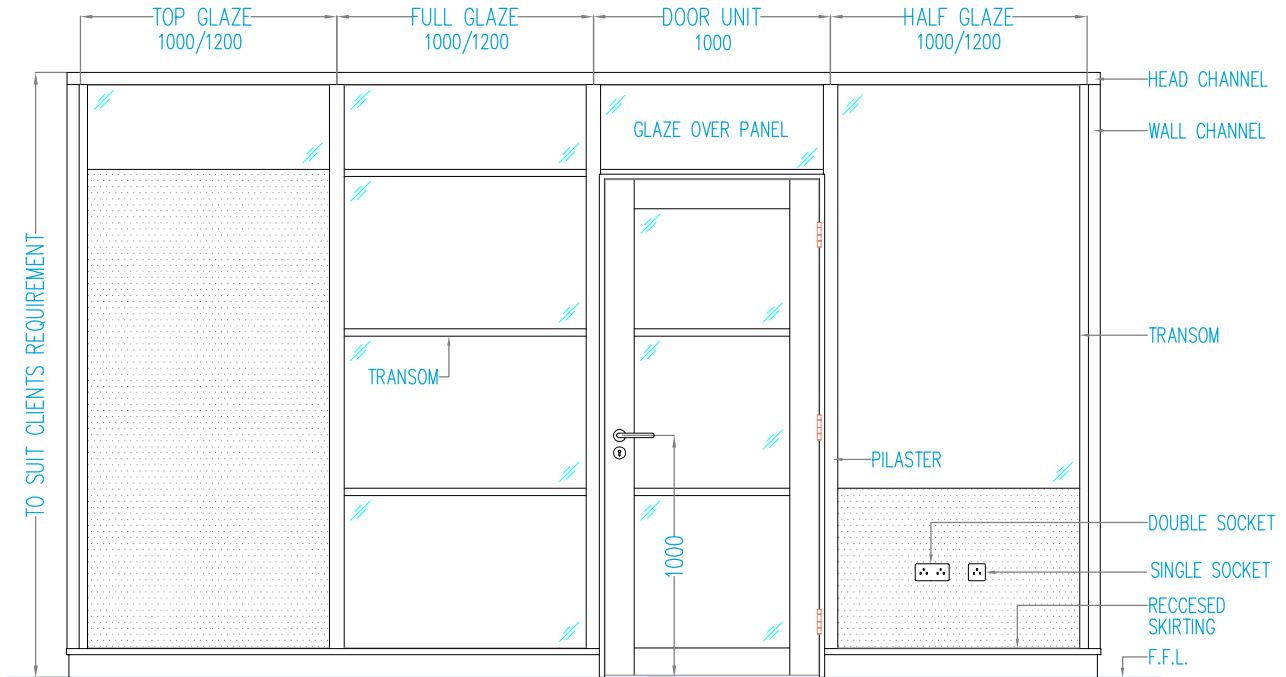


PILASTER JOINT-GLAZED TO GLAZED

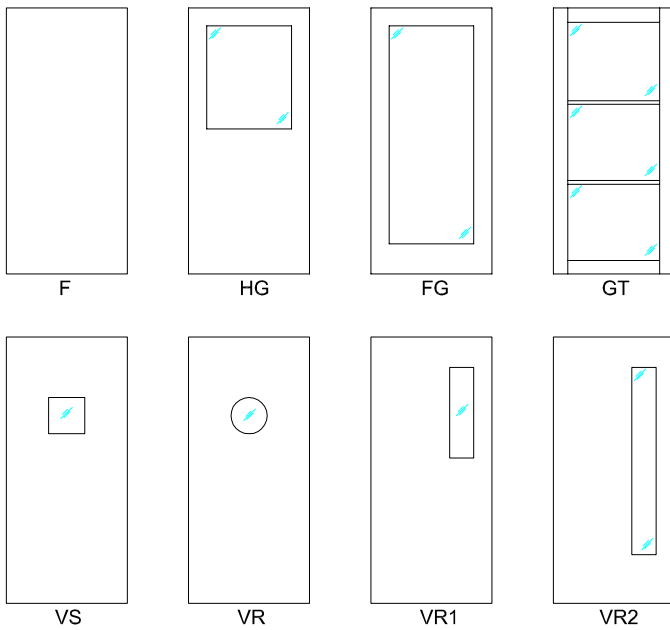


PILASTER JOINT-SOLID TO GLAZED

PANEL TYPES

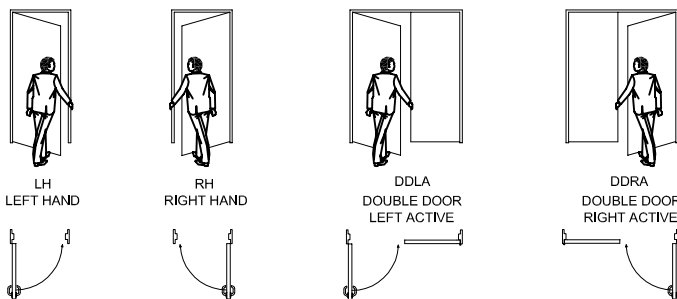


DOOR DESIGN

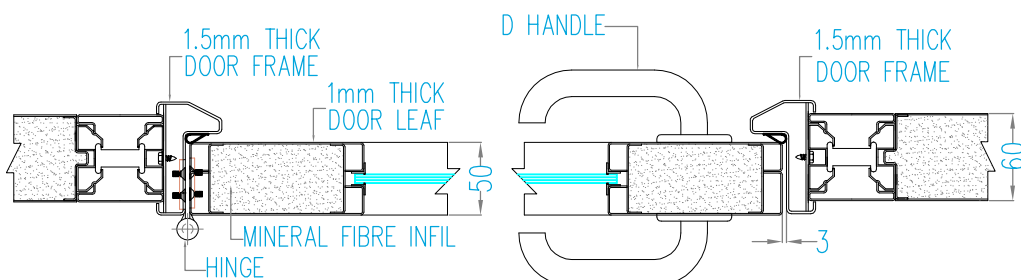
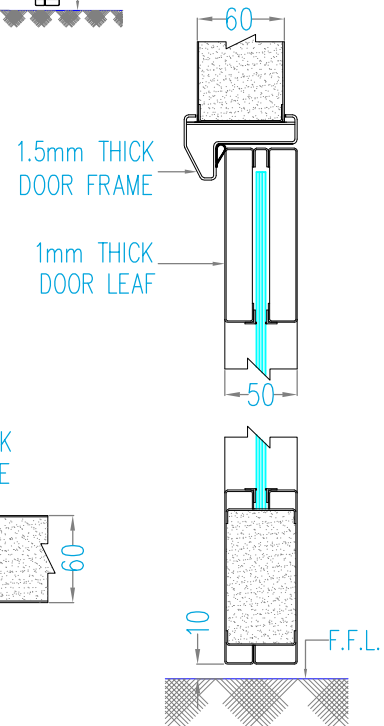
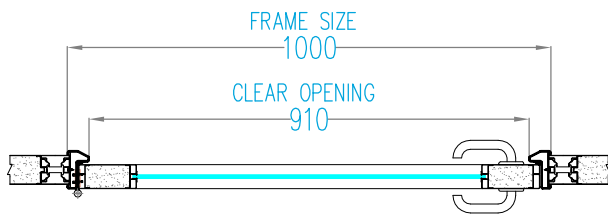
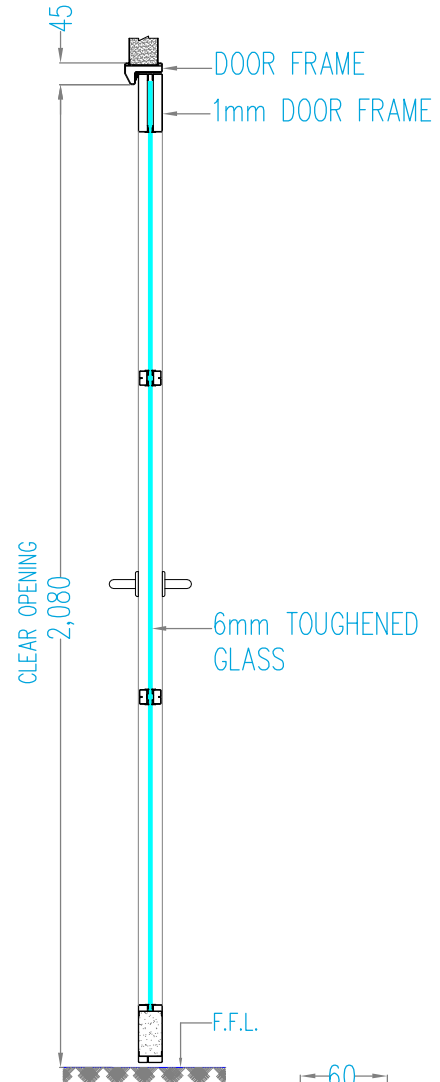
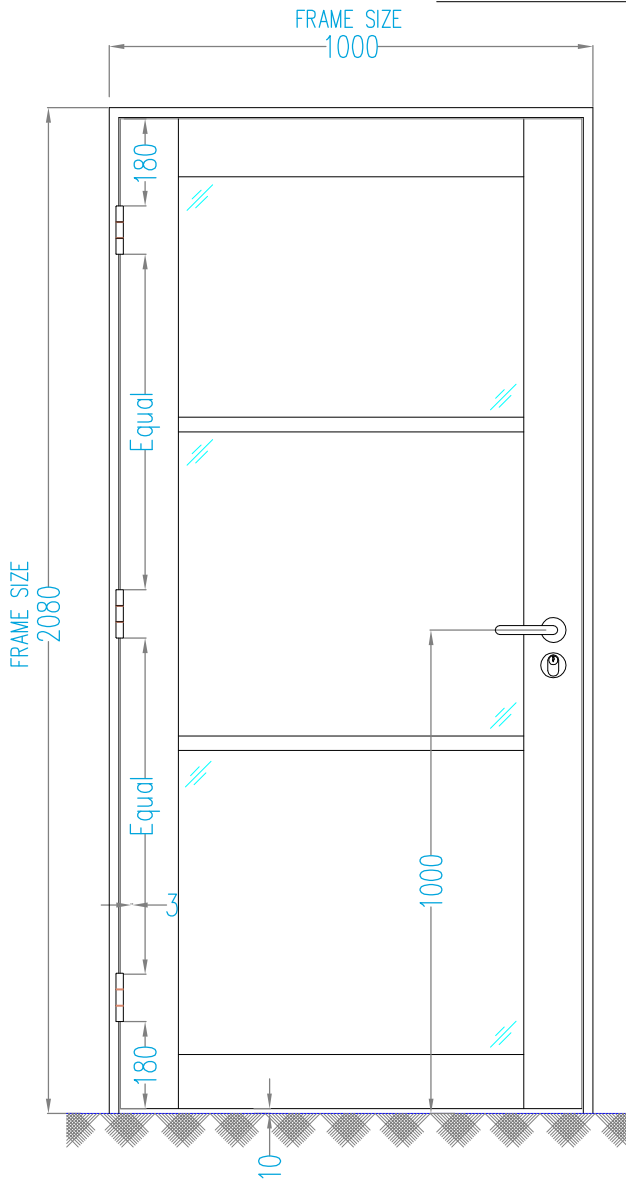


- F - Full Solid
 - HG - Half Glaze
 - FG - Full Glaze
 - GT - Glaze with Transom
 - VS - Vision Square(300mmx300mm)
 - VR - Vision Round(300mm dia)
 - VR1 - Vision Rectangle
 - VR2 - Vision Rectangle
- Other designs available to individual clients specifications

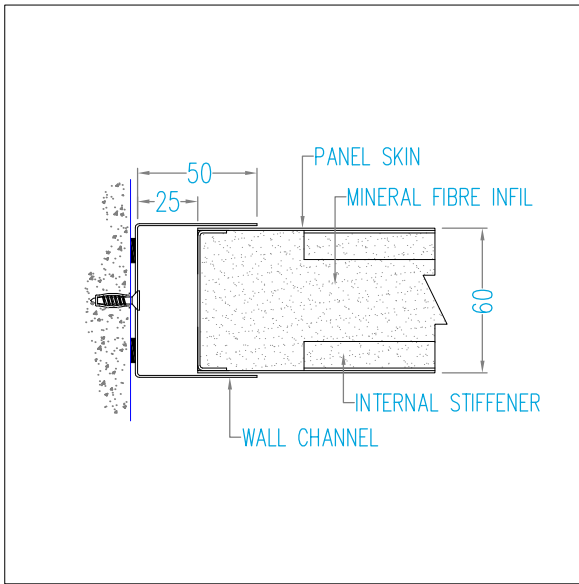
DOOR HANDING



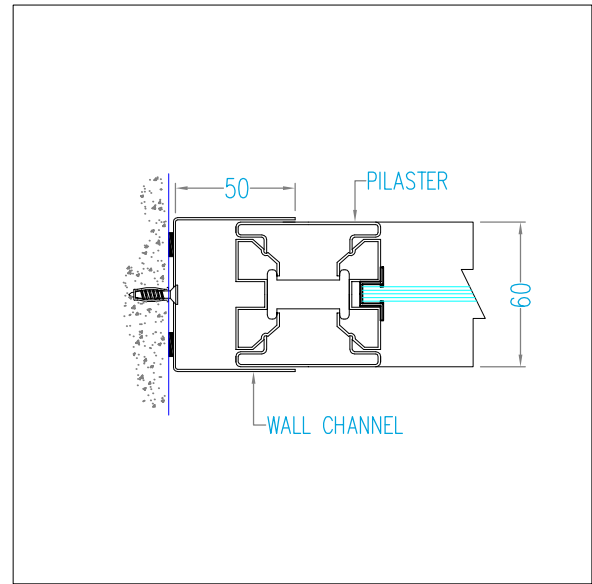
SINGLE DOOR UNIT



WALL CONNECTIONS

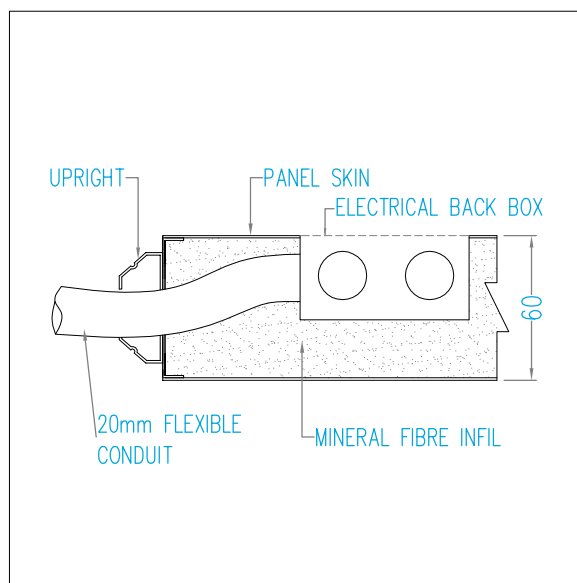


SOLID UNIT TO WALL



GLAZED UNIT TO WALL

ELECTRICAL CUTOUTS



SOLID UNIT WITH ELECTRICAL CUTOUTS